



www.bauer-at.com

**BAUER**

FOR A GREEN WORLD



## RAINSTAR A3

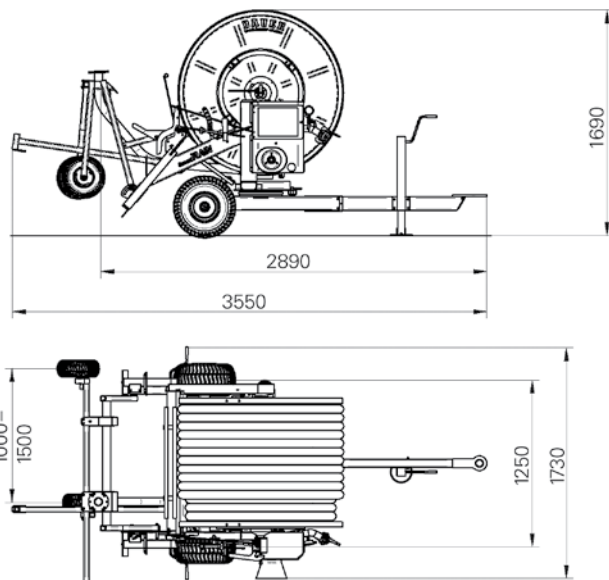
# The Multi-Tasking Irrigation Unit



**Pro-gardening, Parkland, horticulture, golf courses, sports facilities and model farms – the RAINSTAR A3 multi-tasks in most applications – a smart choice for irrigation.**

- RAINSTAR A3 with BAUER specific PE-pipe
- Hot-galvanized pipe reel, turntable and chassis
- Two-wheel gun-trolley with wide-profile tyres. Adapts easily to any crop row spacing. The chassis has a rotating pipe reel and integrated leg supports
- Drive system is BAUER full-flow turbine
- 3 Speed adjustable V-belt transmission
- Mechanical speed regulator with automatic pipe layering compensator
- Speed-change gearbox with PTO winding system
- Power transmission is via precision chain drive
- Automatic gun-trolley lift
- Automatic final shut-off device
- PE-pipe rewind system with precision rewind shaft and strong support chassis
- Single axle chassis with universal variable track width ranging from 1000 – 1500 mm

## Dimensions



## Technical data

RAINSTAR A3	55 – 170	63 – 125	63 – 150
PE-pipe Ø mm x length m	55 x 170	63 x 125	63 x 150
Length of irrigation strip m	200	165	190
Flow rate m <sup>3</sup> /h		4.8 – 20	
Nozzle range mm		8 – 16	
Weight with water kg	792	778	855
Weight incl. empty PE-pipe kg	515	512	537
Dimension of tyres	18 x 9.50 – 8 / 4 PR		

## Optional Equipment

Automatic over-pressure shut-off valve

Speedometer

Connecting hose

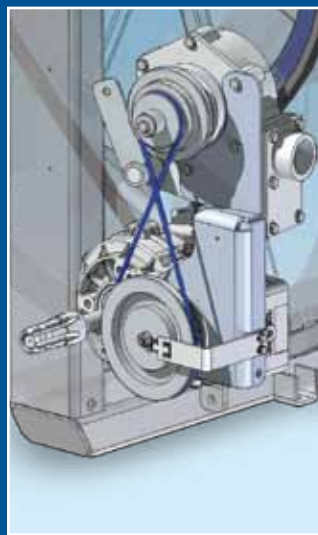
Boom trolley AS 16 with strip width of 32 m

BAUER wide-range sprinkler

Chassis mounted engine driven booster pump

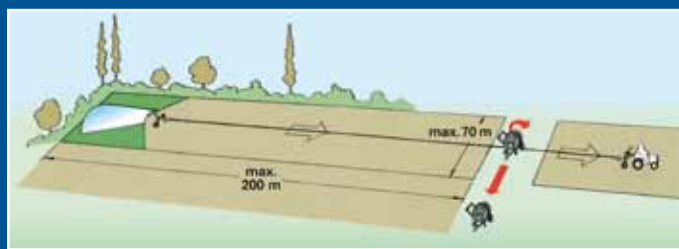
The Austrian **BAUER Group** has its headquarters in Voitsberg, Styria. For the past 40 years we have been a **Global market leader** with our RAINSTAR irrigation units.

Subject to technical modifications / RAINSTAR A3 / 09 2009 e



### Compact Drive Unit

The compact drive unit includes the BAUER full-flow turbine, the V-belt transmission and speed change gearbox. This unit offers the optimum in economy and operating efficiency. Power transmission to the pipe reel is via a strong high-quality chain and precision laser-cut toothed gear elements. This optimised design offers extremely low pressure loss and high efficiency power output.



To swivel the RAINSTAR A3 reel to the required working position is simple and easily undertaken by one person. Gives high operating effi-

ciency maximising working hours. From a single position, irrigation can be undertaken in two directions.



### Three RAINSTAR A3 Variants

The RAINSTAR A3 is available with the durable BAUER PE-pipe in lengths of 125 m, 150 m and 170 m. Options are pipe diameters of 55 mm and 63 mm.

Röhren- und Pumpenwerk  
BAUER GmbH  
8570 Voitsberg, Austria  
Tel. +43 3142 200-0  
sales@bauer-at.com  
www.bauer-at.com

A **BAUER Group** company



# BAUER

FOR A GREEN WORLD